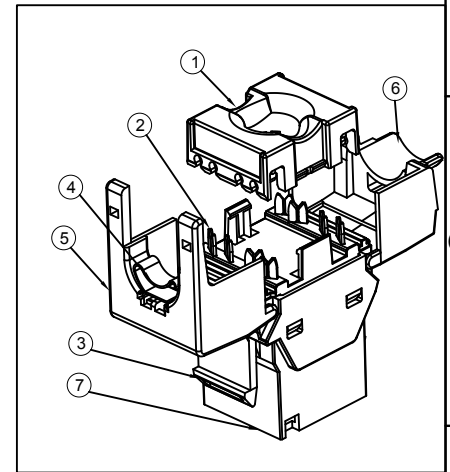
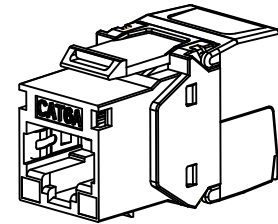
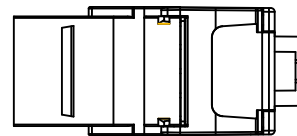
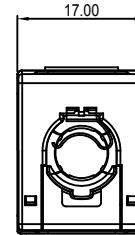
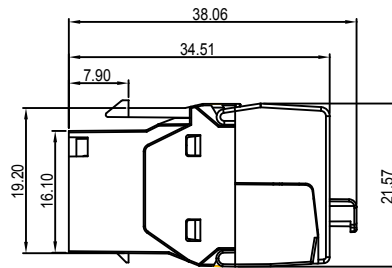
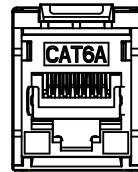


| LIMITS | DEGREE CLASS | | | |
|-----------|--------------|-------|-------|-------|
| | A | B | C | D |
| <10 | ±0.02 | ±0.05 | ±0.10 | ±0.15 |
| 10~50 | ±0.05 | ±0.10 | ±0.15 | ±0.20 |
| 50~120 | ±0.10 | ±0.15 | ±0.20 | ±0.25 |
| 120~300 | ±0.15 | ±0.20 | ±0.25 | ±0.30 |
| 300~500 | ±0.20 | ±0.25 | ±0.30 | ±0.35 |
| 500~1000 | ±0.25 | ±0.30 | ±0.35 | ±0.40 |
| 1000~1500 | ±0.30 | ±0.35 | ±0.40 | ±0.45 |
| ANGEL | ±0.2° | ±0.5° | ±1.0° | ±1.5° |

| ZONE | REV. | DESCRIPTION | DATE | APPROVED |
|------|------|-----------------|------------|----------|
| | A | INITIAL RELEASE | 2014.10.15 | |



MATERIAL

- (1) LINE PRESSING COVER: PC FR
- (2) IDC TERMINALS: PHOSPHOR BRONZE, TIN PLATED
- (3) IDC HOUSING: PC FR
- (4) GROUND LUG: SUS304
- (5) AFTER THE UPPER COVER: ZN ALLOY + NICKEL PLATED
- (6) AFTER THE BOTTOM COVER: ZN ALLOY + NICKEL PLATED
- (7) FRONT COVER: ZN ALLOY + NICKEL PLATED

PHYSICAL CHARACTERISTICS

PLUG INSERTION LIFE: >=750 TIMES (RJ45, RJ11/RJ12)
 INSERTION FORCE < = 30N
 CONTACT FORCE: 0.98N BY FCC PLUG
 PLUG RETENTION FORCE: 50N 60±5 SECONDS
 IDC WIRE GAUGE: 22/1~26/1 AWG
 CONTACT: PHOSPHOR BRONZE WITH 50U''' GOLD OVER CONTACT AREA
 OPERATION TEMPERATURE: -10 ~ 60 °C

ELECTRICAL

CURRENT RATING: 1.5A
 DIELECTRIC WITHSTANDING VOLTAGE : 1000 VAC 60HZ
 INSULATION RESISTANCE : 500 MΩ MIN.
 CONTACT RESISTANCE : 20 mΩ MAX.



| | | | | |
|--------------------|---|-----------------------------|--------|---|
| MODEL: S45-3750 | TITLE: CAT6A STP KEYSTONE JACK W/6 COLOR ID | Simply45[®] | | |
| DRAWN: | PART NO. | UNIT | MM | |
| DESIGNED: | MATERIAL | SCALE | 1 : 1 | |
| CHECKED: | FINISH | SHEET | 1 OF 1 | |
| APPROVED: | TOOLING NO. | SIZE | REV. | A |
| | DWG NO. | | | |