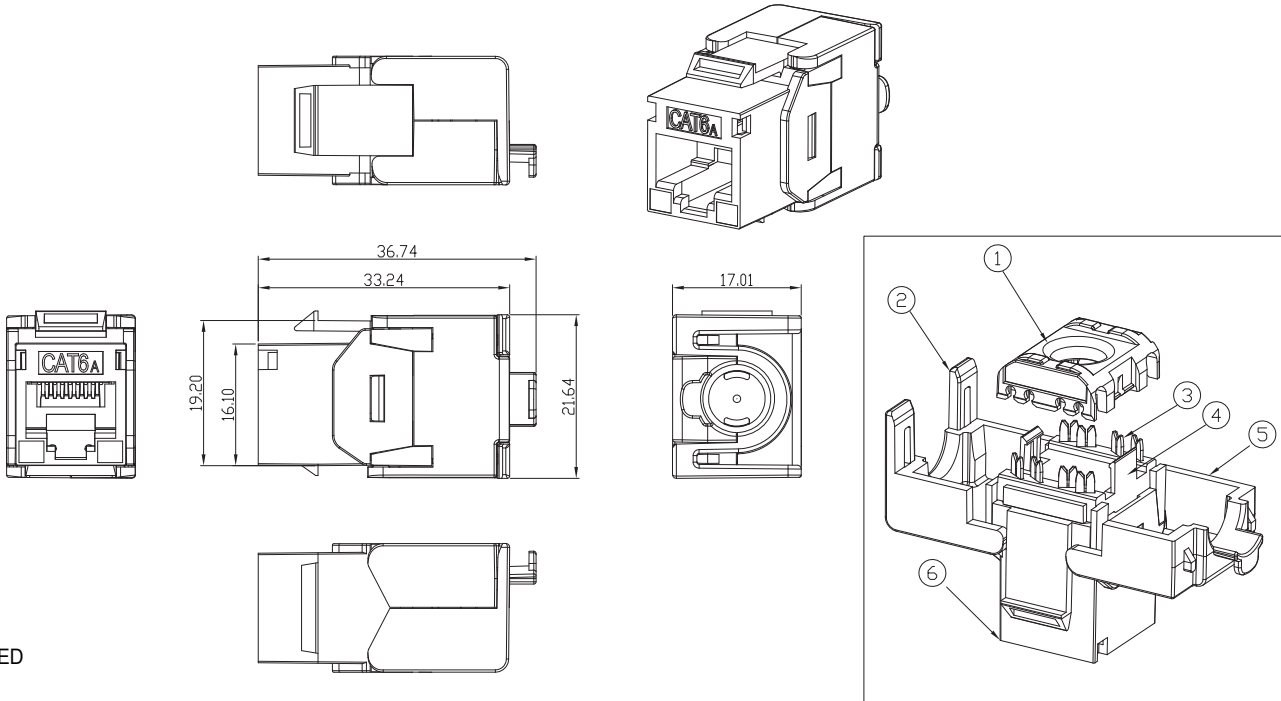


LIMITS	DEGREE CLASS			
	A	B	C	D
<10	±0.02	±0.05	±0.10	±0.15
10~50	±0.05	±0.10	±0.15	±0.20
50~120	±0.10	±0.15	±0.20	±0.25
120~300	±0.15	±0.20	±0.25	±0.30
300~500	±0.20	±0.25	±0.30	±0.35
500~1000	±0.25	±0.30	±0.35	±0.40
1000~1500	±0.30	±0.35	±0.40	±0.45
ANGEL	±0.2°	±0.5°	±1.0°	±1.5°

ZONE	REV.	DESCRIPTION	DATE	APPROVED
	A	INITIAL RELEASE	2016.02.29	



MATERIAL

- (1) LINE PRESSING COVER: PC FR
- (2) AFTER THE UPPER COVER: PC FR
- (3) IDC TERMINALS: PHOSPHOR BRONZE, TIN PLATED
- (4) IDC HOUSING: PC FR
- (5) AFTER THE BOTTOM COVER: PC FR
- (6) FRONT COVER: ABS+PC

PHYSICAL CHARACTERISTICS

PLUG INSERTION LIFE: >=750 TIMES (RJ45, RJ11/RJ12)
 INSERTION FORCE < = 20N
 CONTACT FORCE: 0.98N BY FCC PLUG
 PLUG RETENTION FORCE: 50N 60±5 SECONDS
 IDC WIRE GAUGE: 23/1~26/1 AWG
 CONTACT: PHOSPHOR BRONZE WITH 50U" GOLD OVER CONTACT AREA
 OPERATION TEMPERATURE: -10 ~ 60 °C

ELECTRICAL

CURRENT RATING: 1.5A
 DIELECTRIC WITHSTANDING VOLTAGE : 1000 VAC 60HZ
 INSULATION RESISTANCE : 500 MΩ MIN.
 CONTACT RESISTANCE : 20 mΩ MAX.



MODEL:	S45-3600B	TITLE:	CAT6A UTP KEYSTONE JACK W/6 COLOR ID		Simply45[®]	
DRAWN:		PART NO.		UNIT		
DESIGNED:		MATERIAL		SCALE	1 : 1	
CHECKED:		FINISH		SHEET	1 OF 1	
		TOOLING NO.		SIZE	REV.	A
APPROVED:		DWG NO.				