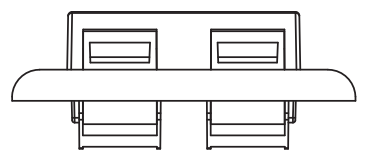
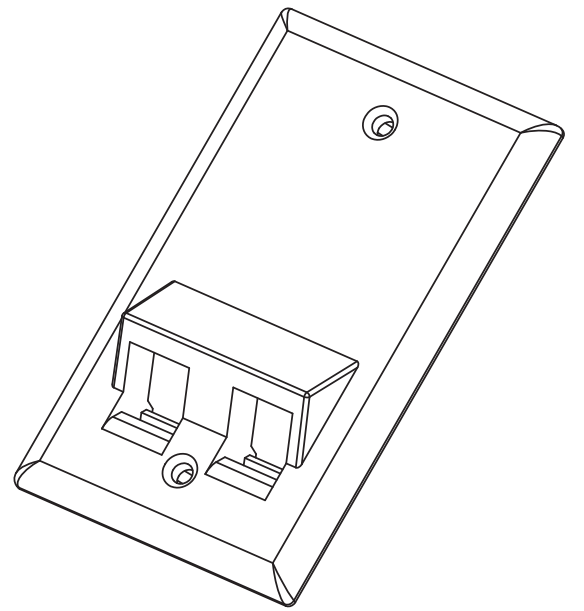
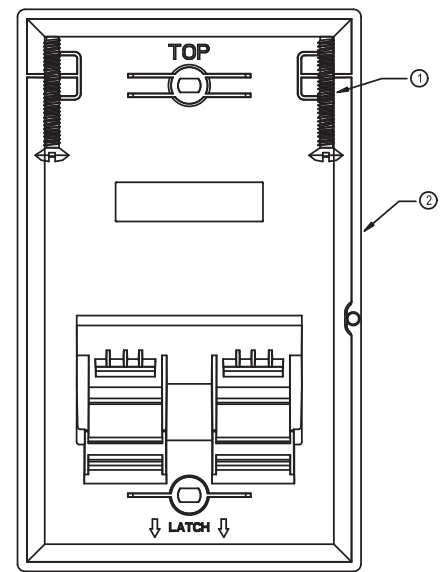
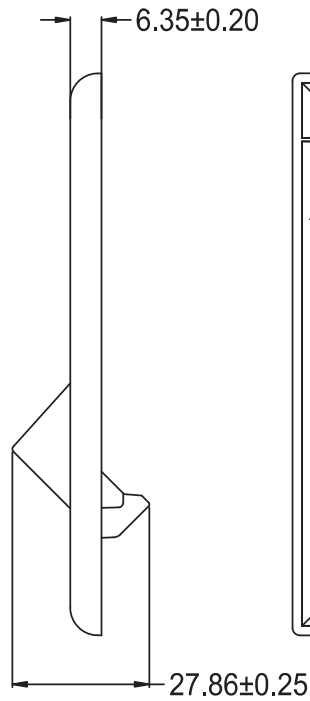
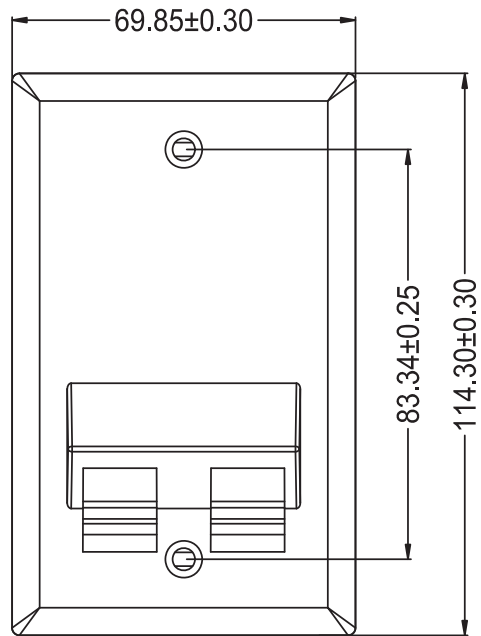


DEGREE CLASS	✓			
	A	B	C	D
LIMITS <10	±0.02	±0.05	±0.10	±0.15
10~50	±0.05	±0.10	±0.15	±0.20
50~120	±0.10	±0.15	±0.20	±0.25
120~300	±0.15	±0.20	±0.25	±0.30
300~500	±0.20	±0.25	±0.30	±0.35
500~1000	±0.25	±0.30	±0.35	±0.40
1000~1500	±0.30	±0.35	±0.40	±0.45
ANGEL	±0.2°	±0.5°	±1.0°	±1.5°

ZONE	REV.	DESCRIPTION	DATE	APPROVED
	A	INITIAL RELEASE	2017.04.26	



MECHANICAL:  
 OPERATING TEMPERATURE:-10°C TO +60°C  
 STORAGE TEMPERATURE:-40°C TO +70°C  
 MATERIAL  
 (1) SCREW: IRON  
 (2) PLASTIC: ABS V0+UV

MODEL: S45-3202AW	TITLE: 2-PORT WALL PLATE ANGLE	<b>Simply45<sup>®</sup></b>			
DRAWN:	PART NO.			UNIT	MM
DESIGNED:	MATERIAL			SCALE	1 : 1
CHECKED:	FINISH			SHEET	1 OF 1
	TOOLING NO.			SIZE	A4
APPROVED:	DWG NO.			REV.	A