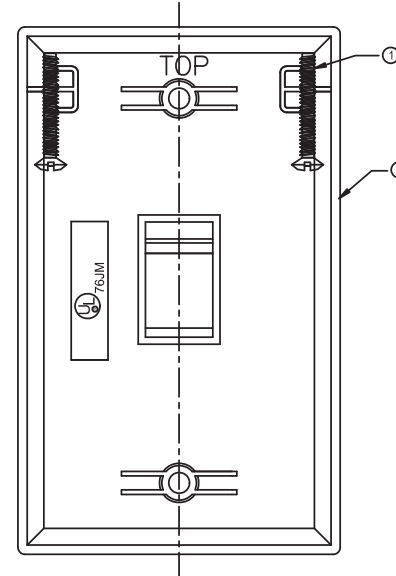
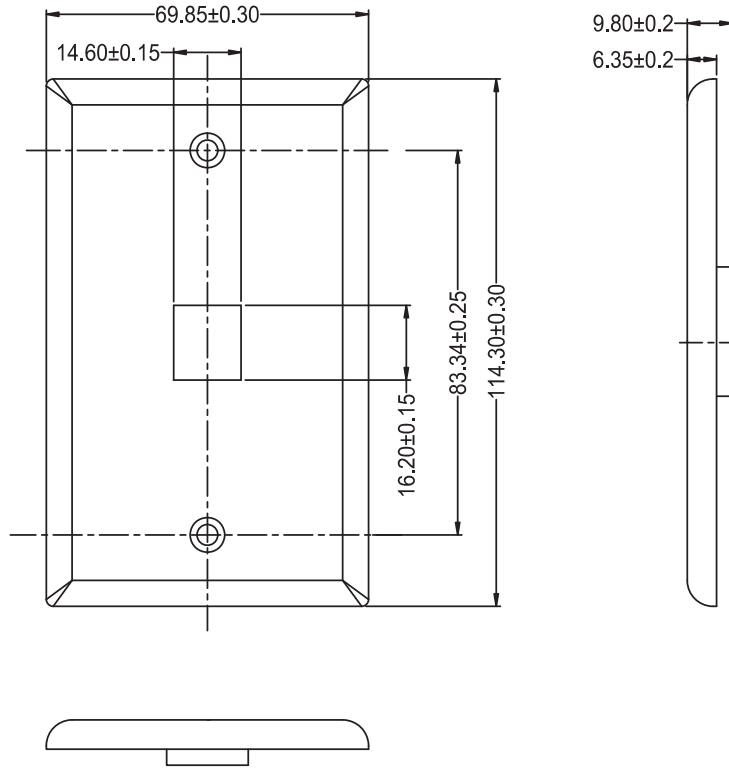


LIMITS	DEGREE CLASS			
	A	B	C	D
<10	±0.02	±0.05	±0.10	±0.15
10~50	±0.05	±0.10	±0.15	±0.20
50~120	±0.10	±0.15	±0.20	±0.25
120~300	±0.15	±0.20	±0.25	±0.30
300~500	±0.20	±0.25	±0.30	±0.35
500~1000	±0.25	±0.30	±0.35	±0.40
1000~1500	±0.30	±0.35	±0.40	±0.45
ANGEL	±0.2°	±0.5°	±1.0°	±1.5°

ZONE	REV.	DESCRIPTION	DATE	APPROVED
	A	INITIAL RELEASE	2023.11.07	



MECHANICAL:
 OPERATING TEMPERATURE:-10°C TO +60°C
 STORAGE TEMPERATURE:-40°C TO +70°C
 MATERIAL
 (1) SCREW: IRON
 (2) PLASTIC: ABS V0+UV

MODEL: S45-3201W	TITLE: US TYPE WALL PLATE 1-PORT	Simply45[®]			
DRAWN:	PART NO.			UNIT	MM
DESIGNED:	MATERIAL			SCALE	1 : 1
CHECKED:	FINISH			SHEET	1 OF 1
	TOOLING NO.			SIZE	A4
APPROVED:	DWG NO.				