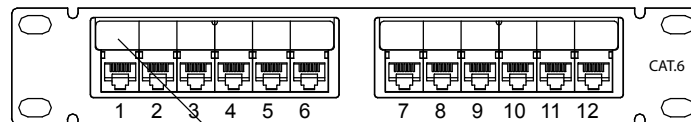


P/N: S45-2612

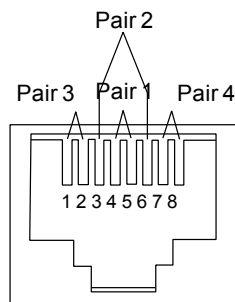
12-Port Loaded Patch Panel, Unshielded Cat6 UTP,
Wall Mount, 89B Mounting Bracket, Rear 110 IDC Punch
Down, Numbered Ports w/Labels, Vertical or Horizontal
Mount, ANSI/TIA 568.2-D, ISO/IEC 11801 Class D,
PoE: IEEE 802.3bt - 1 ea/Box



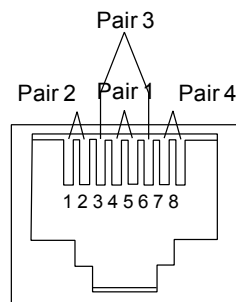
FRONT VIEW



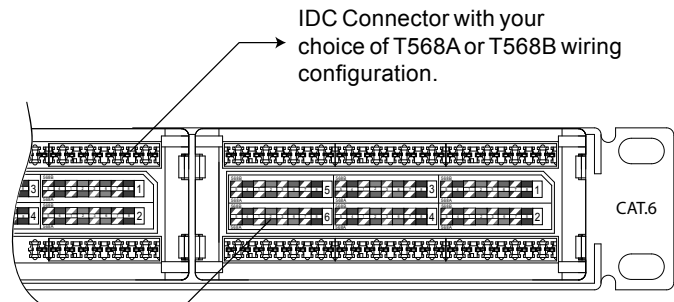
Write on description
label protected by clear
plastic cover



T568A



T568B

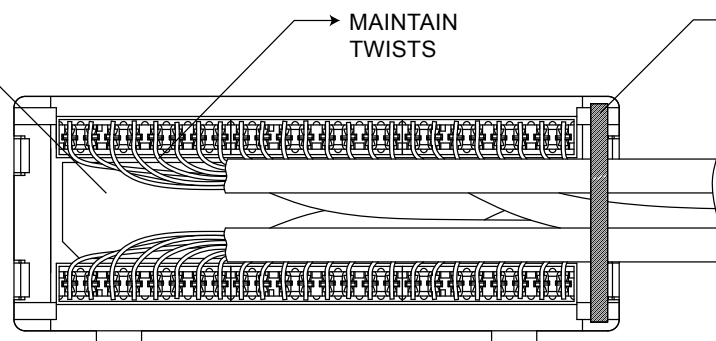


IDC Connector with your
choice of T568A or T568B wiring
configuration.

WIRING LABEL
Dual T568A/B wiring label

WIRING LABEL
Dual T568A/B wiring label

REAR VIEW



Note: According to ANSI/TIA and ISO specification, please keep less than 1cm "un-twist" of each pair