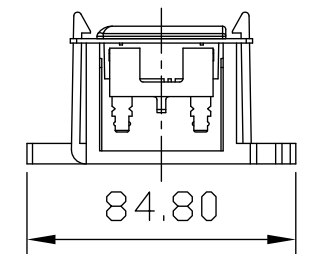
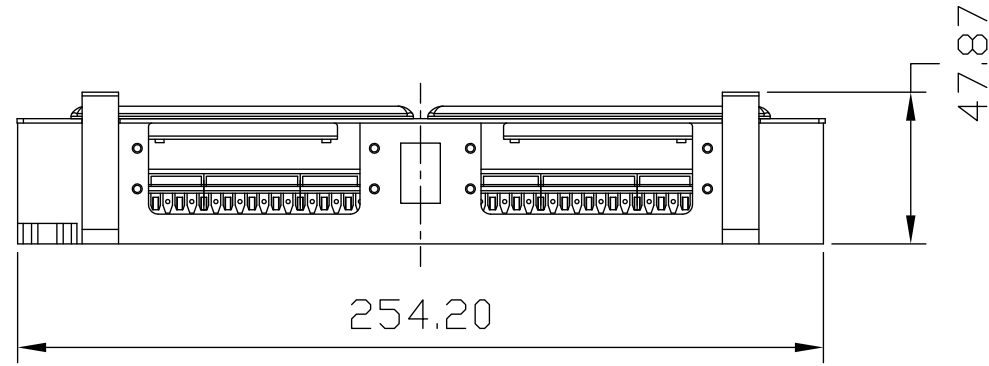
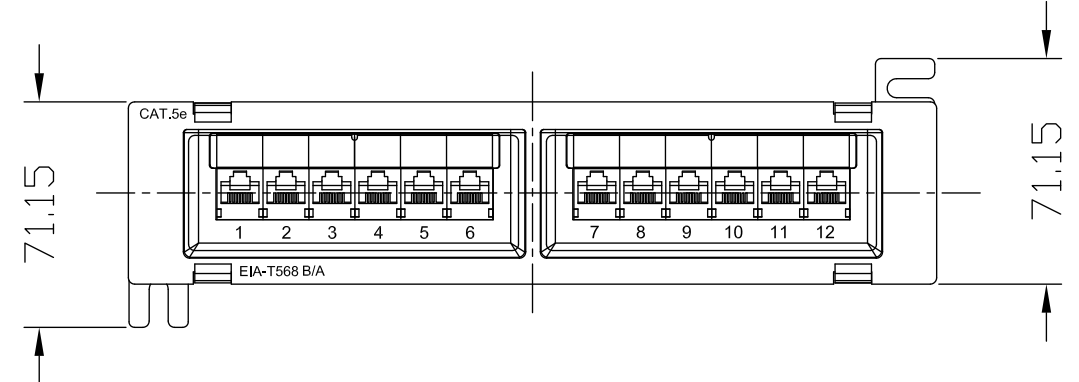


LIMITS	DEGREE CLASS			
	A	B	C	D
<10	±0.02	±0.05	±0.10	±0.15
10-50	±0.05	±0.10	±0.15	±0.20
50-120	±0.10	±0.15	±0.20	±0.25
120-300	±0.15	±0.20	±0.25	±0.30
300-500	±0.20	±0.25	±0.30	±0.35
500-1000	±0.25	±0.30	±0.35	±0.40
1000-1500	±0.30	±0.35	±0.40	±0.45
ANGLE	±0.2°	±0.5°	±1.0°	±1.5°

ZONE	REV.	DESCRIPTION	DATE	APPROVED
	A	INITIAL RELEASE	2012.07.21	



**MATERIAL**  
 MATERIALS: PBT+G.F. AND POLYCARBONATE  
 RJ45 JACK CONTACT: PHOSPHOR BRONZE, 50U" GOLD PLATING  
 IRON BRACKET: SPCC  
 CAVITY CONFORMS TO FCC RULES AND REGULATIONS PART 68

**PHYSICAL CHARACTERISTICS**  
 PLUG INSERTION LIFE: >=750 TIMES (RJ45, RJ11/RJ12)  
 INSERTION FORCE < = 20N  
 CONTACT FORCE: 0.98N BY FCC PLUG  
 PLUG RETENTION FORCE: 50N 60±5 SECONDS  
 110/KRONE IDC INSERTION FORCE: 4.5KG MIN.  
 IDC WIRE GAUGE: 22/1~26/1 AWG  
 CONTACT: PHOSPHOR BRONZE WITH 50U" GOLD OVER CONTACT AREA  
 OPERATION TEMPERATURE: -10 ~ 60 °C

**ELECTRICAL**  
 CURRENT RATING: 1.5A  
 DIELECTRIC WITHSTANDING VOLTAGE : 1000 VAC 60HZ  
 INSULATION RESISTANCE : 500 MΩ MIN.  
 CONTACT RESISTANCE : 20 mΩ MAX.



MODEL: S45-2512	TITLE: 12-PORT C5e PATCH PANEL	<b>Simply45<sup>®</sup></b>			
DRAWN:	PART NO.	/	UNIT	MM	
DESIGNED:	MATERIAL		SCALE	1 : 1	
CHECKED:	FINISH	/	SHEET	1 OF 1	
	TOOLING NO.		SIZE	REV.	A
APPROVED:	DWG NO.				